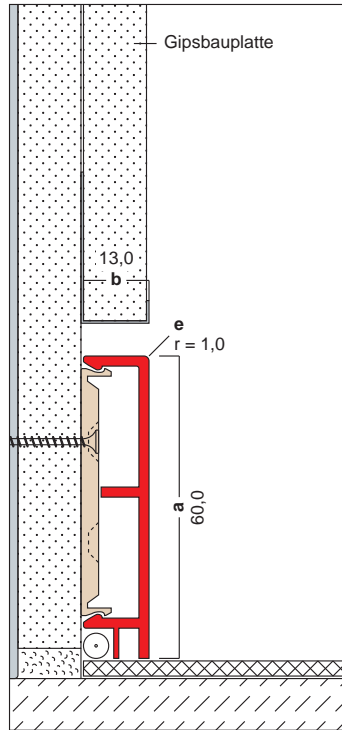
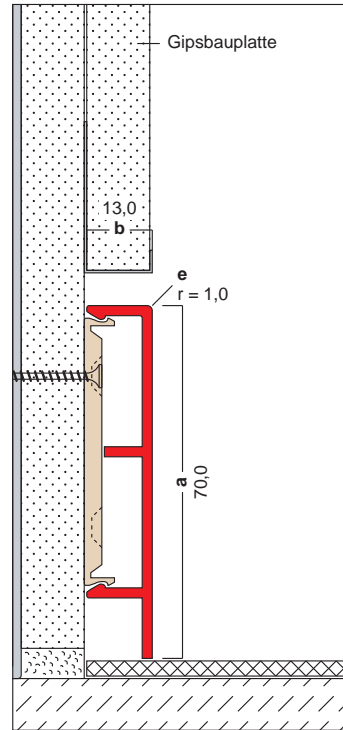


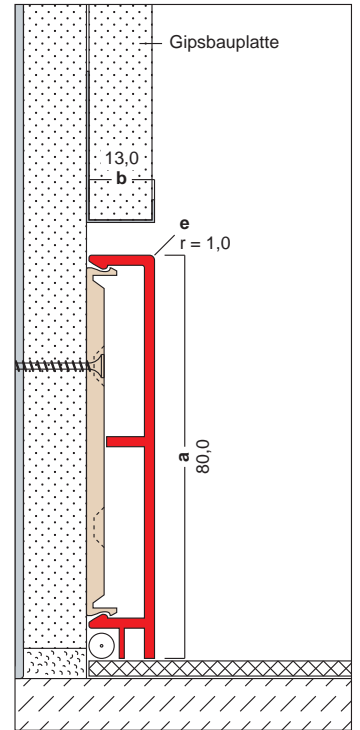
G0.2
50,0 x 13,0 mm



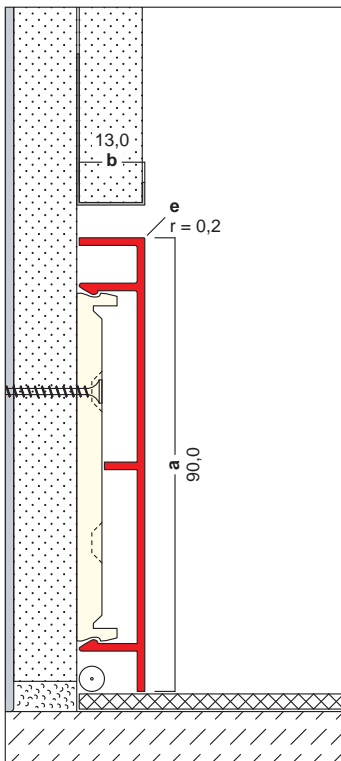
G6
60,0 x 13,0 mm



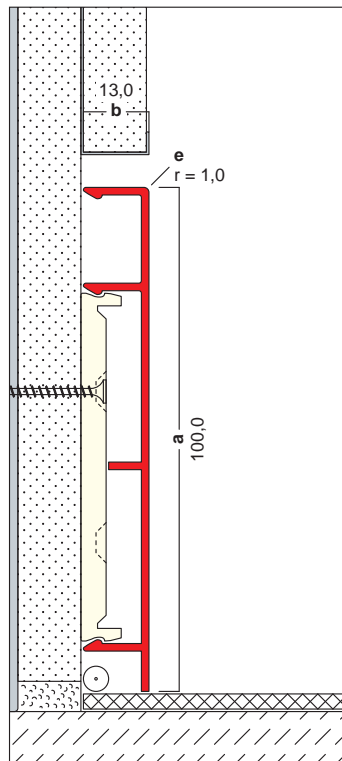
G7
70,0 x 13,0 mm



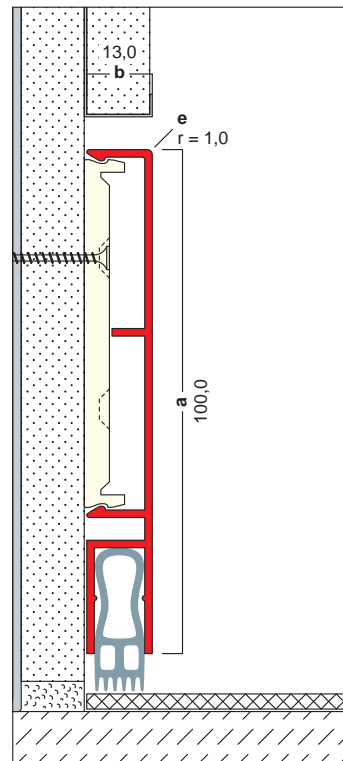
G8
80,0 x 13,0 mm



G4
90,0 x 13,0 mm



G10
100,0 x 13,0 mm



G11
100,0 x 13,0 mm